

Instrument Meter Specialties, Inc.
 1-800-926-3837..... 1-818-243-0416



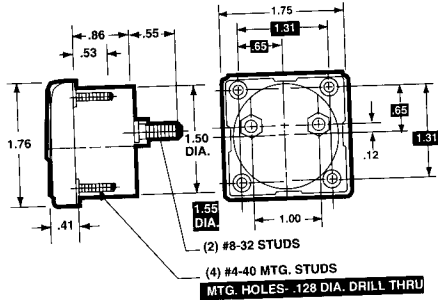
We Accept:
 Visa - MasterCard
 Amex - Discover

Wide-Vue Analog Panel Meters

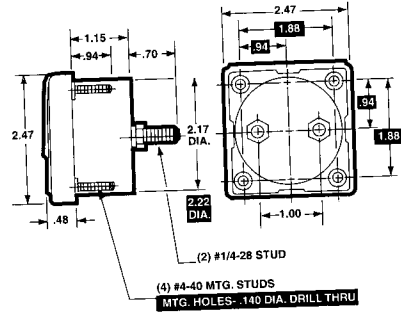
Dimensions and Compatibility

1 = Panel Meter Cut-out Dimensions

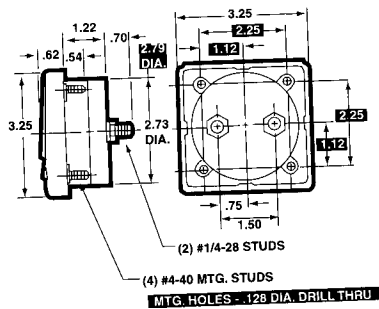
1-1/2"-Model 1214



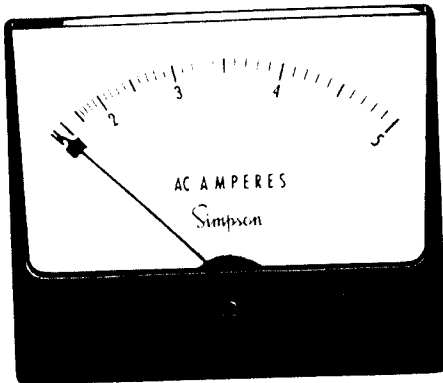
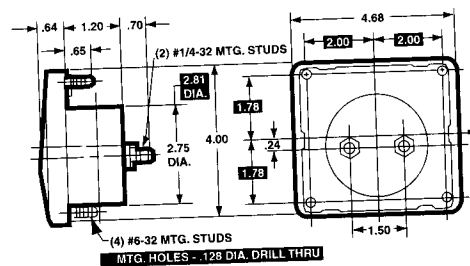
2-1/2"-Model 1247 & 1257



3-1/2"-Model 1347 & 1357



4-1/2"-Model 1349 & 1359



Model Number	Size	Meter Movement
1257	2-1/2"	Iron-Vane
1357	3-1/2"	Iron-Vane
1359	4-1/2"	Iron-Vane

Compatibility Reference Table

Manufacturer	Size/Model		
	2-1/2"	3-1/2"	4-1/2"
Crompton	223	225	227
Celebrity	362	363	364
Challenge	233	235	237
Clearvu			
Hoyt 3100	3125	3135	3145
Modutec			
S Series	2S-	3S-	4S-
PB Series	2PB*	3PB*	4PB
Triplett G Series	220-G	320-G	420-G
Weston 2000 Series	2021	2031	2041
Yokogawa			
Big Look	250-2 OPT.	250-3 OPT.	250-4 OPT. 1
Horizon	210	251-310	251-410

*Modutec uses a three-stud mount.

Specifications

Accuracy: ±2% F.S.
Movement: Iron-vane, magnetically damped
Suspension: Pivot and jewel
Tracking: ±3%
Shielding: Calibration is unaffected by magnetic panel mounting.

Response Time: 1.5 seconds maximum
Overload (1 sec.): 10 times F.S.
Overload (Continuous): 1.5 times F.S.
Repeatability: 2%

Dial: Sharp clear scale. Each dial arc is calibrated to track the specific type of movement used.
Resistance: ±15%
Operating Temperature: -4°F to +149°F (-20°C to +65°C)
Case: High density black phenolic
Pointer: Spade Pointer, with black matte finish
Scale Length: Model 1257: 2.30" (58.4mm); Model 1357: 3.14" (79.9mm); Model 1359: 3.93" (100mm)
Net Weight: Model 1257: 4oz (0.11kg); Model 1357: 8oz (0.14kg); Model 1359: 8oz (0.14kg)