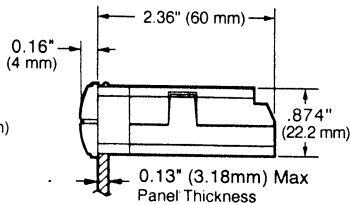
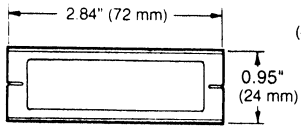
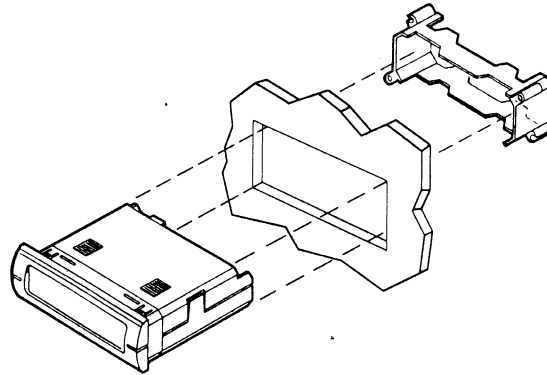
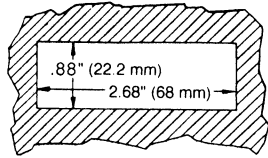
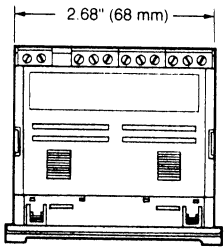




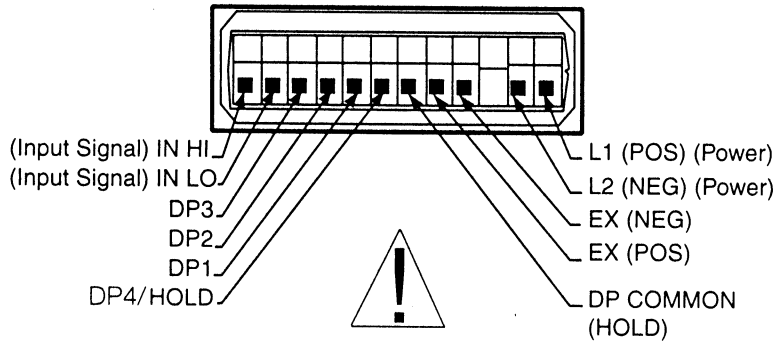
Installation and Panel Cutout



Mounting Requirements

Insert the Mini-Max through the panel, and then slide the mounting bracket on to the Mini-Max. The mounting bracket allows Mini-Max units to be stacked side-to-side or top-to-bottom and to maintain the DIN standard panel arrangements in 24mm by 72mm multiples. Panel cutout instructions for stacking multiple units are provided under "stacking features."

Wiring Display



These instruments are designed for maximum safety to the operator when mounted in a panel according to instructions. They are not to be used unmounted or for exploratory measurements in unknown circuits.

Decimal Point: To select a decimal point, connect the appropriate DP pin (DP1, DP2, DP3 or DP4) to the DP COMMON (HOLD). Unused DP inputs may remain unconnected (open).

Display Hold: Connect HOLD to DP COMMON (HOLD). If this feature is not required, the DP COMMON (HOLD) pin may remain unconnected (open). Hold is optional on this model, and when equipped, replaces DP4. This feature is available from our modification centers.

Input Signal: Connect the IN HI and IN LO to the signal to be monitored.

Input Power: Connect power to the L1 and L2 terminals. For AC powered units, L1 and L2 are not polarized. **For 9-32 DC powered units, L1 must be positive with respect to L2.**