

Instrument Meter Specialties, Inc.
 1-800-926-3837..... 1-818-243-0416



We Accept:
 Visa - MasterCard
 Amex - Discover

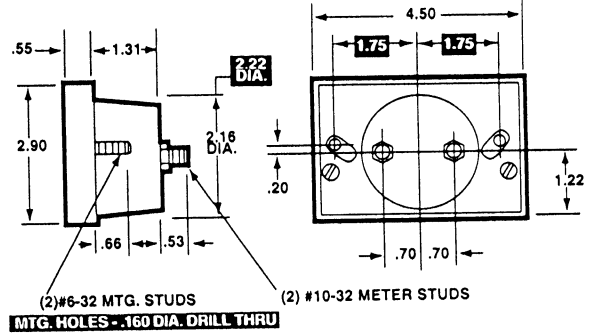
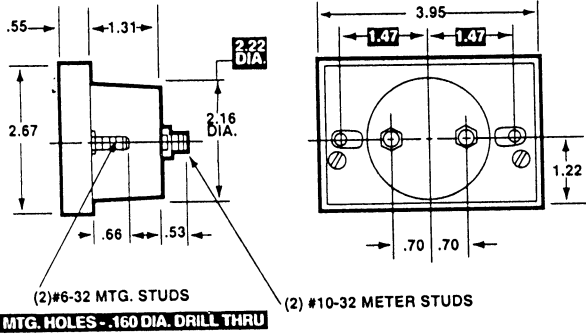
Designer Syle
 Analog Panel Meters

Dimensions and Compatibility

3-1/2"-Model 553

1 = Panel Meter Cut-out Dimensions

4-1/2"-Model 554



Compatibility Reference Table

Manufacturer	Size/Model	
	3-1/2"	4-1/2"
Hoyt	2136	2146
Triplett G Series	330-R	430-R

Specifications

Accuracy: ±2% F.S.
Movement: Iron-vane, magnetically damped
Suspension: Pivot and jewel
Tracking: ±3%
Response Time: 1.5 seconds maximum
Overload (1 sec.): 10 times F.S.
Overload (Continuous): 1.5 times F.S.
Repeatability: 2%
Dial: Sharp clear scale. Each dial arc is calibrated to track the specific type of movement used.

Case: High density black phenolic
Resistance: ±15%
Operating Temperature: -4°F to +149°F (-20°C to +65°C)
Pointer: Red, knife-edge
Scale Length: Model 553: 2.69" (68.3mm)
 Model 554: 2.84" (72.1mm)
Net Weight: Model 553: 5oz (0.14kg)
 Model 554: 6oz (0.17kg)