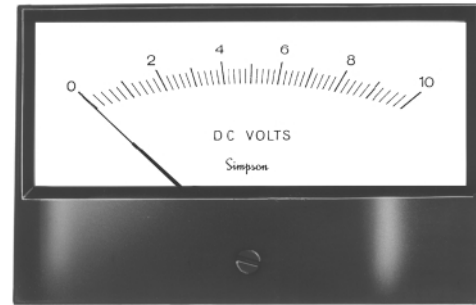


- *Clean, Uncluttered Look*
- *Maximum Readability in Minimum Required Height*
- *Two Popular Sizes: 3-1/2", 4-1/2"*
- *Calibration Not Affected When Mounted on Steel Panels*
- *Phenolic Cases with Glass Windows*



Model Number	Size	Meter Movement
523	3-1/2"	Annular Self-shielding
524	4-1/2"	Annular Self-shielding

Look to the Designer Series for use in today's compact equipment designs - without sacrificing readability. The professionally styled Designer meters offered by Simpson take up less than 3" of panel height, yet the scale is over 3-1/2" long.

With a black phenolic case and glass window for optimum viewing, the Designer has a red knife-edge pointer,

providing excellent reliability and ± 2 percent of full scale (F.S.) accuracy. The 3-1/2 inch and 4-1/2 in sizes available feature a self-shielding meter movement. This movement construction allows meter to mounted on steel panels.

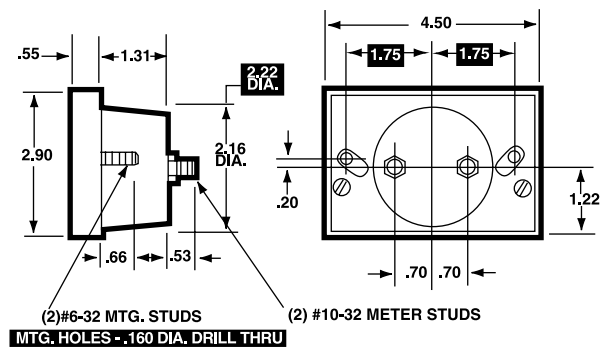
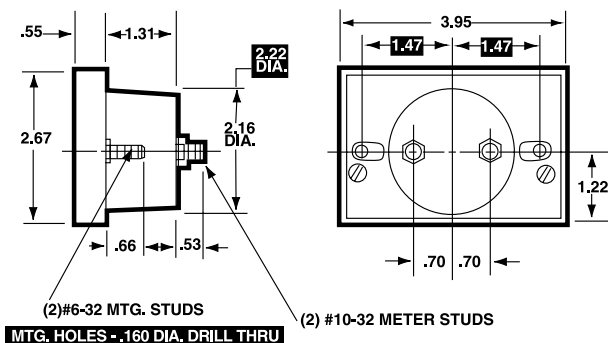
This style meter is ideal for many other electrical functions. See "Function Reference Table."

Dimensions and Compatibility

3-1/2"-Model 523

1 = Panel Meter Cut-out Dimensions

4-1/2"-Model 524



Compatibility Reference Table

Manufacturer	Size/Model	
	3-1/2"	4-1/2"
Hoyt	2135	2145
Triplett G Series	320-R	420-R

