

- **Clean, Uncluttered Look**
- **Maximum Readability in Minimum Required Height**
- **Two Popular Sizes: 3-1/2", 4-1/2"**
- **Calibration Not Affected When Mounted on Steel Panels**
- **Phenolic Cases with Glass Windows**



Model Number	Size	Meter Movement
523	3-1/2"	Annular
524	4-1/2"	Annular

Look to the Designer Series for use in today's compact equipment designs - without sacrificing readability. The professionally styled Designer meters offered by Simpson take up less than 3" of panel height, yet the scale is over 3-1/2" long.

With a black phenolic case and glass window for optimum viewing, the Designer has a red knife-edge pointer, providing

excellent readability and  $\pm 2\%$  full scale (F.S.) accuracy. The 3-1/2 inch and 4-1/2 inch sizes available feature self-shielding meter movement that prevents interaction between the meter and a steel panel.

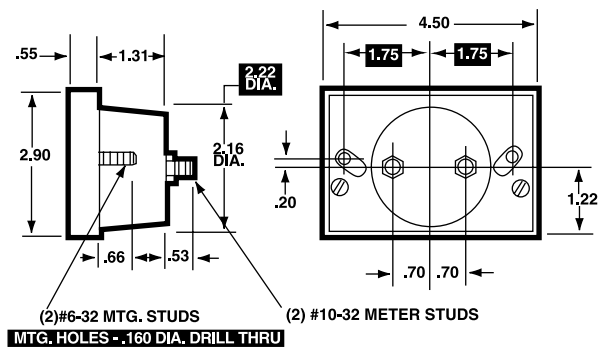
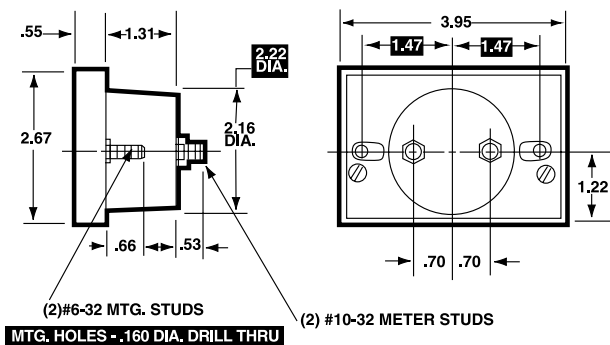
This style meter is ideal for many other electrical functions. See the "Function Reference Table."

### Dimensions and Compatibility

3-1/2"-Model 523

1 = Panel Meter Cut-out Dimensions

4-1/2"-Model 524



### Compatibility Reference Table

Manufacturer	Size/Model	
	3-1/2"	4-1/2"
Hoyt	2135	2145
Triplett G Series	320-R	420-R

## Specifications

<b>Accuracy:</b>	±2% F.S.
<b>Movement:</b>	Annular, self-shielding
<b>Suspension:</b>	Pivot and jewel
<b>Tracking:</b>	±3%
<b>Shielding:</b>	Calibration is unaffected by magnetic panel mounting.
<b>Response Time:</b>	1.5 seconds maximum
<b>Overload (1 sec.):</b>	10 times F.S.
<b>Overload (Continuous):</b>	1.5 times F.S.
<b>Repeatability:</b>	2%
<b>Dial:</b>	White with black printing. Each dial arc is calibrated to track the specific type of movement used.

<b>Case:</b>	Black phenolic with glass window
<b>Resistance:</b>	±15%
<b>Operating Temperature:</b>	-4°F to +149°F (-20°C to +65°C)
<b>Pointer:</b>	Red, knife-edge
<b>Scale Length:</b>	Model 523: 2.92" (74.2mm) Model 524: 3.25" (82.5mm)
<b>Net Weight:</b>	Model 523: 9oz (0.26kg) Model 524: 10oz (0.28kg)

## Ordering Information

### DC Microammeters Self-Shielding Meter Movement

Range	Approx. Impedance (Ohms)	Model/Size and Catalog Number	
		3-1/2" Model 523	4-1/2" Model 524
0-15	1960	15014	15092
0-25	2100	15015	15085
0-50	1800	15017	15087
0-100	1800	15019	15089
0-200	1100	15021	15091
0-500	90	15022	15093
25-0-25	1800	15023	15094
50-0-50	1800	15025	15095
100-0-100	1100	15027	15097
500-0-500	43	15024	15096

### DC Milliammeters Self-Shielding Meter Movement

Range	Approx. Impedance (Ohms)	Model/Size and Catalog Number	
		3-1/2" Model 553	4-1/2" Model 554
0-1	43.0	15000	15070
0-5	2100	15001	15076
0-10	1800	15002	15077
0-50	1800	15003	15078
0-100	1100	15010	15080
0-200	90	15004	15079
0-300	1800	15012	15081
0-500	1800	15013	15082

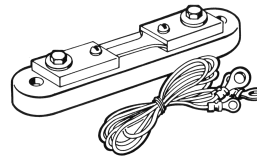
### DC Current Meters Self-Shielding Meter Movement

Range	Approx. Impedance (Ohms)	Model/Size and Catalog Number	
		3-1/2" Model 553	4-1/2" Model 554
0-1	.050	15031	15101
0-3	.0166	15032	15102
0-5	.010	15033	15103
0-10	.005	15030	15100
0-15	.0033	15034	15104
0-25	.0020	15035	15105
0-50	.001	15036	15106

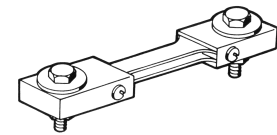
## Accessories

### External Portable and Switchboard Shunts

#### Portable



#### Switchboard



These shunts are adjusted for a 50 millivolt drop for use with switchboard and panel current meters where external shunts are required. Portable shunts have a phenolic base and accept up to 200 amps. Accuracy ±1%, 5' leads (0.065Ω resistance) included.

#### Switchboard 50mV Shunts

Range	Cat. Number
100	06500
150	06503
200	06504
250	06505
300	06506
400	06507
500	06508

#### Portable 50mV Shunts

Range	Cat. Number
1	06700
5	06703
10	06704
15	06705
25	06707
30	06708
50	06709
75	06711
100	06713
150	06714
200	06715

#### Portable 100mV Shunts

Amps	Cat. Number
10	06716
100	06717

5' leads not included

## Function Reference Table

For your convenience, the table below lists Designer models for other electrical monitoring functions with page number reference.

Function	Section	Page
AC Current	E	21
AC Voltage	E	41
DC Voltage	E	81