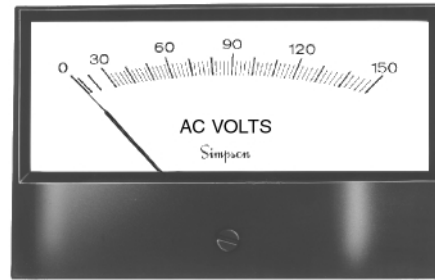




- $\pm 2\%$  of Full Scale Accuracy
- Clean, Uncluttered Look
- Maximum Readability in Minimum Required Height
- Two Popular Sizes: 3-1/2", 4-1/2"
- Calibration Not Affected When Mounted on Steel Panels
- Phenolic Cases with Glass Windows



Model Number	Size	Meter Movement
553	3-1/2"	Iron-Vane
554	4-1/2"	Iron-Vane

Look to the Designer Series for use in today's compact equipment designs - without sacrificing readability. The professionally styled Designer meters offered by Simpson takes up less than 3" of panel height, yet the scale is over 3-1/2" long.

With a black phenolic case and glass window for optimum viewing, the Designer has a red knife-edge pointer, providing excellent readability and  $\pm 2\%$  percent full scale (F.S.)

accuracy. The 3-1/2 inch and 4-1/2 inch sizes feature an iron-vane magnetically damped meter movement which allows the meter to be mounted in steel panels with no effect to its calibration. All meters are calibrated at 60Hz and have a frequency range of 25 through 125Hz. Calibration to 800Hz is available on special order.

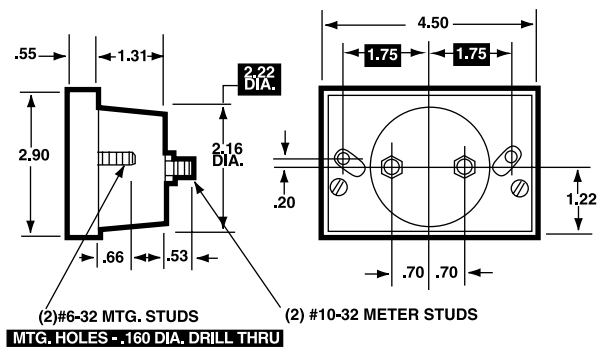
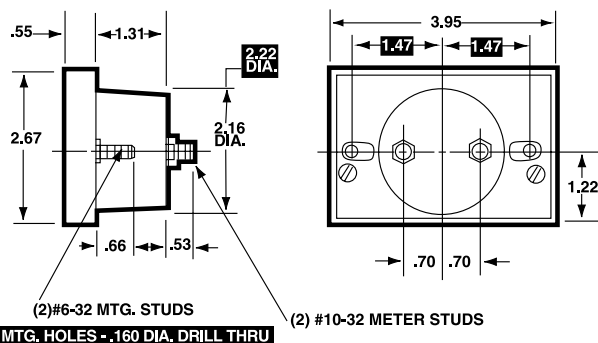
This style is ideal for many other electrical functions. See the "Function Reference Table."

## Dimensions and Compatibility

3-1/2"-Model 553

1 = Panel Meter Cut-out Dimensions

4-1/2"-Model 554



## Compatibility Reference Table

Manufacturer	Size/Model	
	3-1/2"	4-1/2"
Hoyt	2136	2146
Triplett G Series	330-R	430-R

