

- *Clean, Uncluttered Look*
- *Maximum Readability in Minimum Required Height*
- *Two Popular Sizes: 3-1/2", 4-1/2"*
- *Phenolic Cases with Glass Windows*



Model Number	Size	Meter Movement
553	3-1/2"	Iron-Vane
554	4-1/2"	Iron-Vane

Look to the Designer Series for use in today's compact equipment designs - without sacrificing readability. The professionally styled Designer meters offered by Simpson take up less than 3" of panel height, yet the scale is over 3-1/2" long.

With a black phenolic case and glass window for optimum viewing, the Designer has a red knife-edge pointer, providing excellent readability and ± 2 percent of full scale (F.S.) accu-

racy. The 3-1/2 inch and 4-1/2 inch sizes feature an iron-vane magnetically damped meter movement that allows the meter to be mounted in steel panels with no effect to its calibration. All meters are calibrated at 60Hz and have a frequency range of 25 through 800Hz.

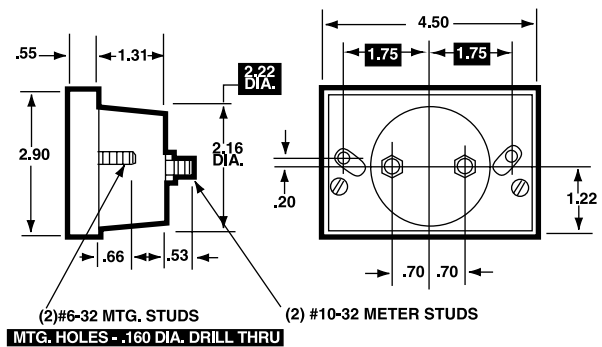
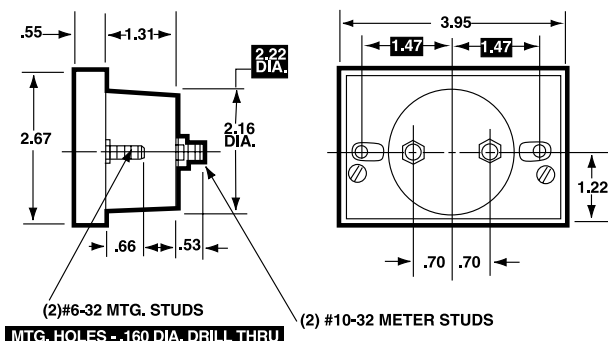
This style is ideal for many other electrical functions. See the "Function Reference Table."

Dimensions and Compatibility

3-1/2"-Model 553

1 = Panel Meter Cut-out Dimensions

4-1/2"-Model 554



Compatibility Reference Table

Manufacturer	Size/Model	
	3-1/2"	4-1/2"
Hoyt	2136	2146
Triplett G Series	330-R	430-R

Specifications

Accuracy:	±2% F.S.
Movement:	Iron-vane, magnetically damped
Suspension:	Pivot and jewel
Tracking:	±3%
Response Time:	1.5 seconds maximum
Overload (1 sec.):	10 times F.S.
Overload (Continuous):	1.5 times F.S.
Repeatability:	2%
Dial:	Sharp clear scale. Each dial arc is calibrated to track the specific type of movement used.

Case:	High density black phenolic
Resistance:	±15%
Operating Temperature:	-4°F to +149°F (-20°C to +65°C)
Pointer:	Red, knife-edge
Scale Length:	Model 553: 2.69" (68.3mm) Model 554: 2.84" (72.1mm)
Net Weight:	Model 553: 5oz (0.14kg) Model 554: 6oz (0.17kg)

Ordering Information

AC Current Meters Iron-Vane Type Movement

Range	Approx. Impedance (Ohms) @60Hz	Model/Size and Catalog Number	
		3-1/2" Model 553	4-1/2" Model 554
0-1	.213	15049	15121
0-5	.008	15050	15120
0-10	.004	15052	15122
0-15	.0025	15051	15123
0-25	.002	15053	15125
0-50	.001	15054	15124
0-100	.008	15056††	15127††
0-150	.008	15057††	15128††

†† = Requires External Current Transformer

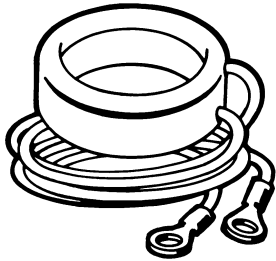
Function Reference Table

For your convenience, the table below lists Designer models for other electrical monitoring functions with page number reference.

Function	Section	Page
AC Voltage	E	41
DC Current	E	61
DC Voltage	E	81

Accessories

Donut Transformer



A Donut Current Transformer enables this current meter to monitor AC current up to 1000 amps. The Donut (also known as a "Toroid") is placed around one of the legs of the device being monitored, and emits up to a 5 amp signal. Each Donut Transformer, rated at 2 volt amps, comes with 2' long secondary leads.

Ordering Information

Range/Amps		Catalog Number
Primary	Secondary	
50	5	01293
75	5	01306
100	5	01297
150	5	01298
200	5	01299
250	5	01313
300	5	01300
400	5	01305
500	5	01301
600	5	02303
750	5	02459
1000	5	02304

Engineer's Notes
