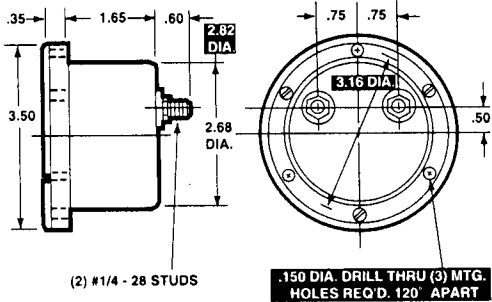




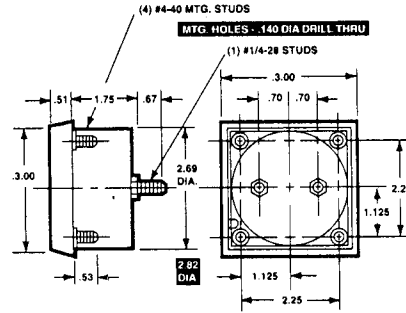
Dimensions and Compatibility

3-1/2"-Model 2543

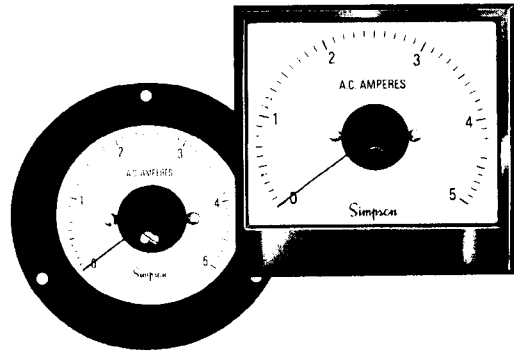
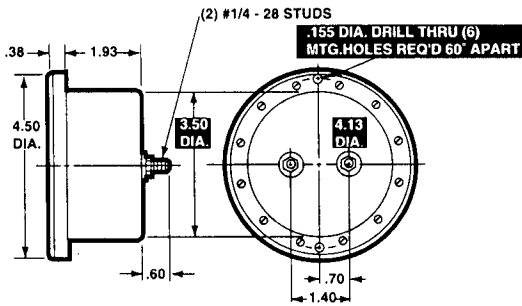
1 = Panel Meter Cut-out Dimensions



4-1/2"-Model 2143L



4-1/2" Model 2544



Model Number	Size	Meter Movement
2543	3-1/2"	Rectifier
2143L	3-1/2"	Rectifier
2544	4-1/2"	Rectifier

Specifications

Accuracy: ±3% full scale (F.S.)
Movement: Rectifier type
Suspension: Pivot and jewel
Tracking: ±3%
Shielding: Calibration is unaffected by magnetic panel mounting.
Response Time: 1.5 seconds maximum
Overload (1 sec.): 10 times F.S.
Overload (Continuous): 1.5 times F.S.
Repeatability: 2%
Dial: Sharp clear scale. Each dial arc is calibrated to track the specific type of movement used.

Case: Models 2543 & 2544: Metal
 Model 2143L: Black phenolic
Resistance: ±15%
Operating Temperature: -4°F to +149°F (-20°C to +65°C)
Pointer: Red, knife-edge
Scale Length: Model 2543 & 2143L: 4.77" (121.16mm)
 Model 2544: 6.54" (166.0mm)
Net Weight: Model 2543 & 2143L: 8oz (230g)
 Model 2544: 9oz (260g)