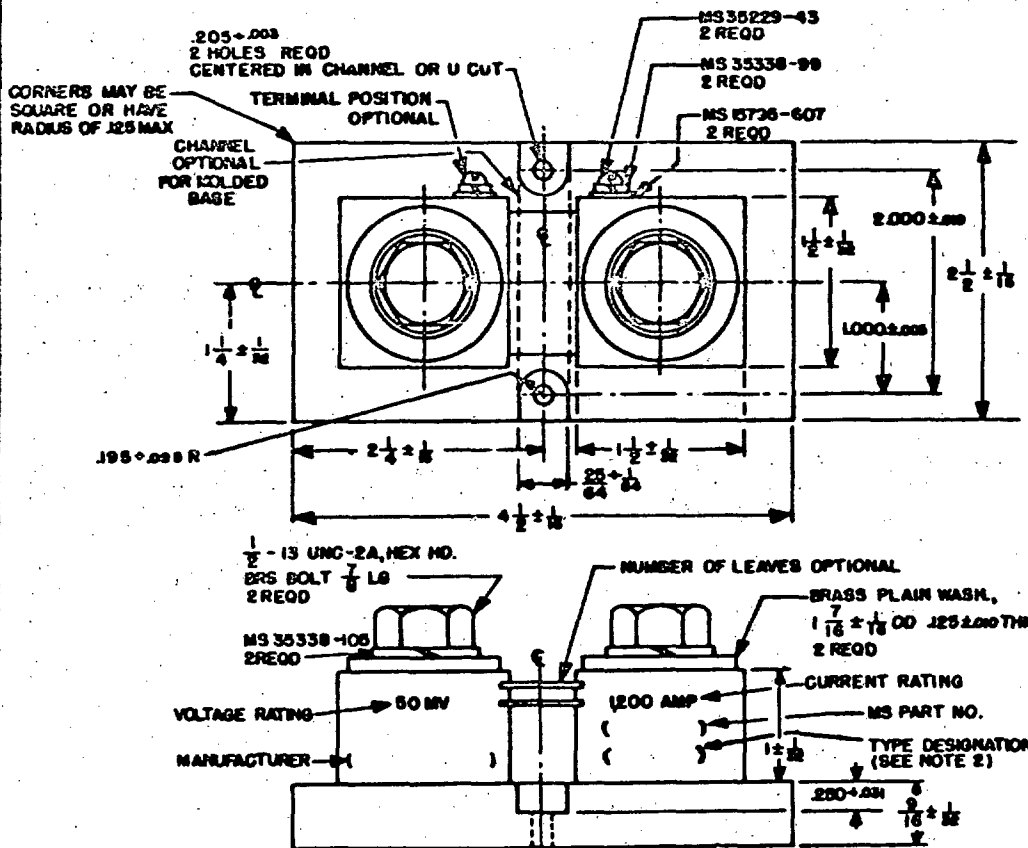


This document has been promulgated by the Department of Defense as the military standard to limit the selection of the item, product, or design covered herein in engineering, design, and procurement. This standard shall become effective not later than 90 days after the latest date of approval shown.

FED. SUP CLASS.
6626



1. All dimensions in inches.
2. Type-designation letters not to exceed two-thirds the height of the MS part-number letters.
3. Referenced documents shall be of the issue in effect on date of invitation for bids.
4. This standard takes precedence over documents referenced herein.

| MS PART NO. | TYPE DESIGNATION | FORMER AN PART NO. | CURRENT RATING (AMPERES) | FIDN ^{1/} |
|-------------|------------------|--------------------|--------------------------|--------------------|
| MS91588-1 | MSC801 | --- | 800 | |
| MS91588-2 | ⓑ MSC102 | --- | 1,000 | |
| MS91588-3 | MSC122 | AN3200-1200 | 1,200 | |

^{1/} Federal Item Identification Number

| | | | |
|---------------------------------------|--------------------|--|-----------------|
| CATEGORIES SigC Ships USAF | OTHER INT. A-OT | MILITARY STANDARD SHUNTS, INSTRUMENT, EXTERNAL, 50-MILLIVOLT, STYLE MSC | MS 91588 |
| | A-ORs | | |
| PROCUREMENT SPECIFICATION MIL-S-61 | | SUPERSEDES: Air Force-Navy Aeronautical Standard AN3200 dated 23 April 1964 (in part) | |
| | | | SHEET 1 of 1 |

027228

NOTICE: This Government drawing, specifications, or other data are used for any purpose other than in connection with a definitely related Government procurement operation, the United States Government hereby incurs no responsibility for any obligation whatsoever; and the fact that the Government may have formulated, furnished, or in any way supplied the data or specifications herein shall not be construed by implication or otherwise as in any manner licensing its holder or any other person or corporation, or conveying any rights of protection to manufacturer, user, or seller of any patented invention that may in any way be claimed therein.